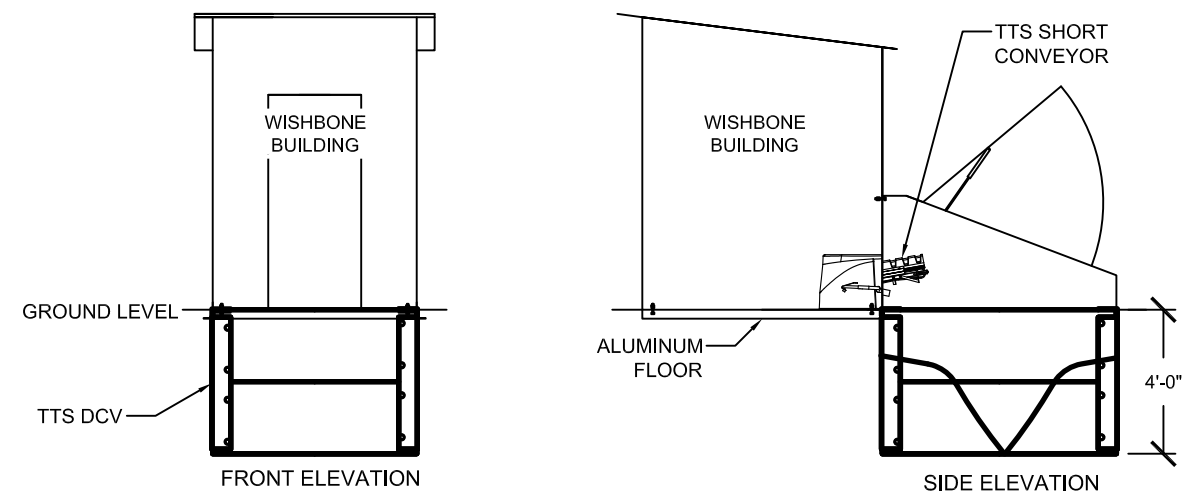
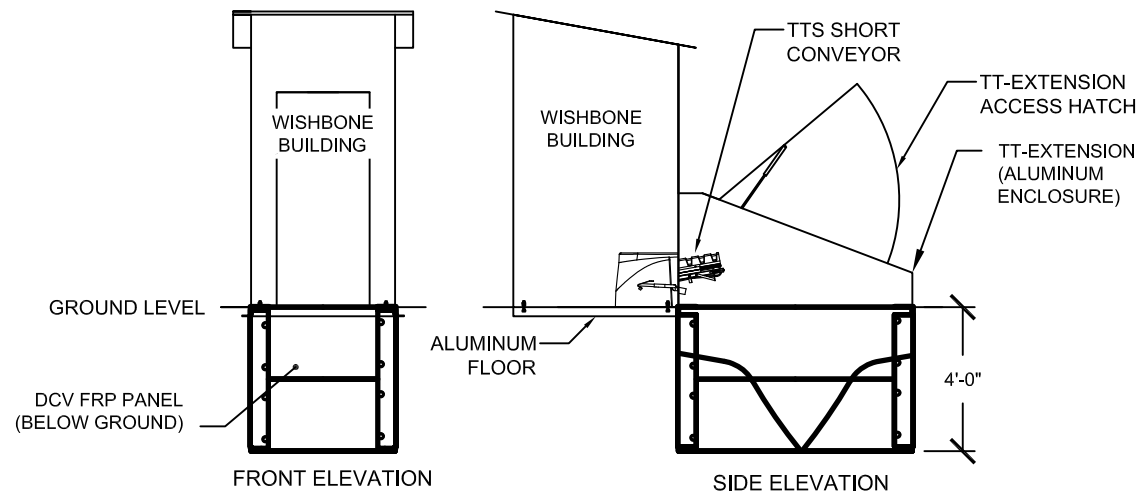
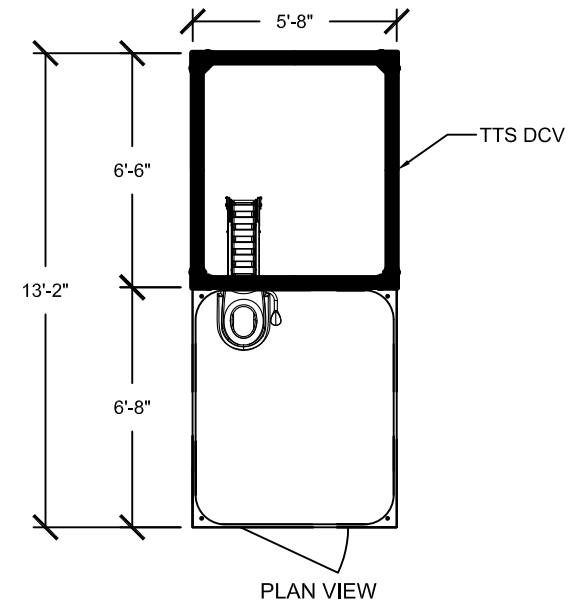
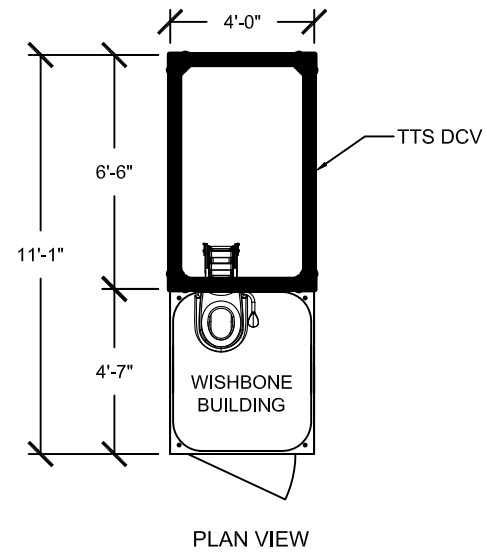


# Toilet Tech

Full Pre-Fab Package with the DCV (DeCompose Vault)  
Below Grade Vault - Pre-Fab FRP Panel Construction



STANDARD SIZE, SINGLE SEAT  
WEIGHT: 400 LBS

ADA-COMPLIANT, SINGLE SEAT  
WEIGHT: 450 LBS

TTS DECOMPOSE VAULT  
LIGHTWEIGHT PULLTRUDED  
FRP PANEL VAULT SYSTEM

\*NOTE TTS DCV SYSTEMS ARE COMPATIBLE WITH  
ALL BUILDING SIZE CONFIGURATIONS

-	*SEE SHEET 1 FOR REVISION HISTORY	-	-
NO	REVISION		
<b>PROPRIETARY INFORMATION</b> This drawing is the property of ECS and shall not be used, copied or reproduced in whole or in part, nor shall the contents be revealed in any manner to anyone unless written permission is obtained from Engineered Compost Systems, Inc.			
TOLERANCES UNLESS OTHERWISE SPECIFIED: 2 PLACE DECIMALS: ± 0.010 3 PLACE DECIMALS: ± 0.005 FRACTIONS: ± 1/16 ANGLES: ± 3°	THIRD ANGLE PROJECTION 	ALL DIMS ARE IN INCHES DO NOT SCALE DRAWING	



DRAWN: RDM	SIZE: B	TITLE: TTS WISHBONE TOILET OFFERINGS	
CHCKD: GBH			
DATE: 05 NOV 2018	PROJECT: 269-90 WISHBONE	SHT: 3	OF 6
SCALE: 3/16" : 1'-0"	DWG. NO: -		REV: 1