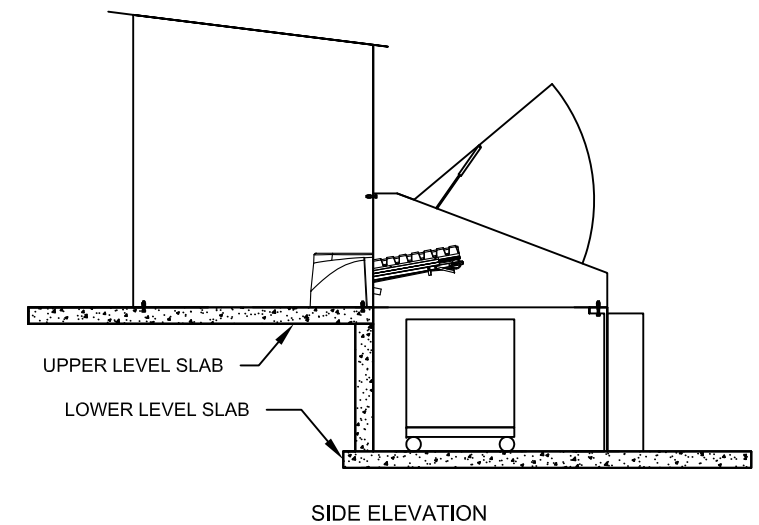
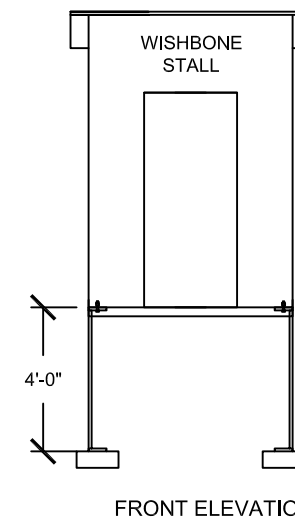
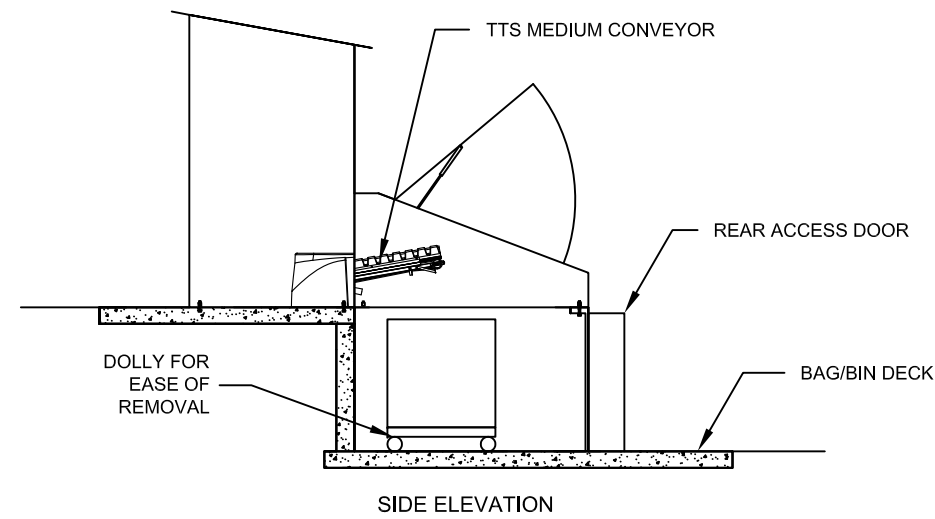
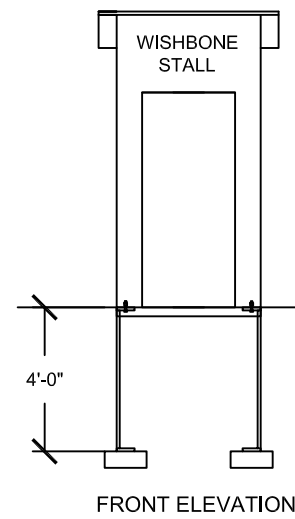
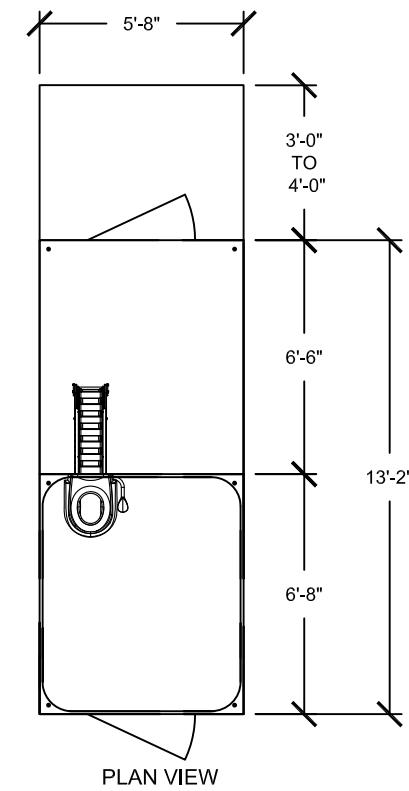
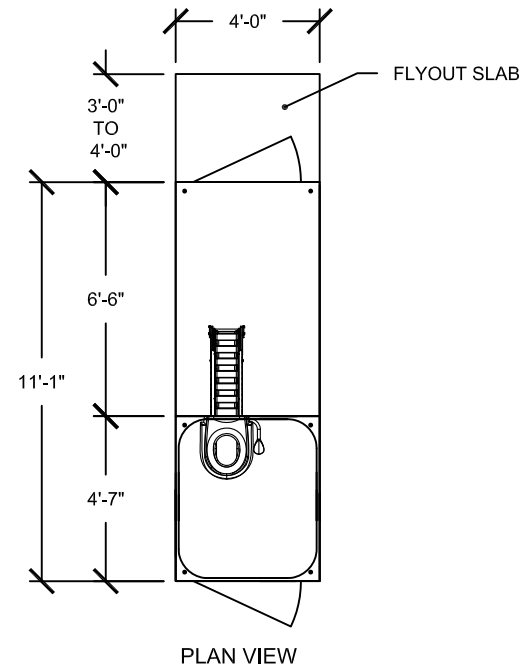


Toilet Tech

Wishbone Rear-Waste Away



STANDARD SIZE, SINGLE SEAT

WISHBONE LOWER FRAME
EXTRUDED ALUMINUM FRAME
WITH Re-Plast T&G LUMBER

ADA-COMPLIANT, SINGLE SEAT

*NOTE TTS DCV SYSTEMS ARE COMPATIBLE WITH
ALL BUILDING SIZE CONFIGURATIONS

-	*SEE SHEET 1 FOR REVISION HISTORY	-	-
NO	REVISION		
PROPRIETARY INFORMATION This drawing is the property of ECS and shall not be used, copied or reproduced in whole or in part, nor shall the contents be revealed in any manner to anyone unless written permission is obtained from Engineered Compost Systems, Inc.			
TOLERANCES UNLESS OTHERWISE SPECIFIED: 2 PLACE DECIMALS: ± 0.010 3 PLACE DECIMALS: ± 0.005 FRACTIONS: ± 1/16 ANGLES: ± 3°	THIRD ANGLE PROJECTION 	ALL DIMS ARE IN INCHES DO NOT SCALE DRAWING	



DRAWN: RDM	SIZE: B	TITLE: TTS WISHBONE TOILET OFFERINGS	
CHCKD: GBH		DATE: 05 NOV 2018	PROJECT: 269-90 WISHBONE
		SCALE: 3/16" : 1'-0"	DWG. NO: -
		SHT: 4 OF 6	REV: 1